

# DMX512 Decoder Series



CE RoHS

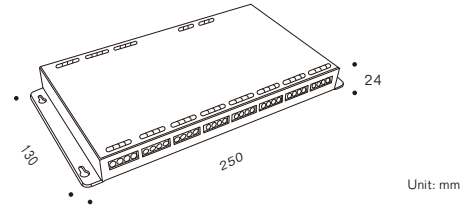
## Specifications

|                   |                 |                    |                         |
|-------------------|-----------------|--------------------|-------------------------|
| Model:            | DE8024          |                    |                         |
| Input:            | DC12-24V        | Max output Power:  | 576W(12V)/1152W(24V)    |
| Max current Load: | 2A*24CH Max 48A | Signal Input:      | DMX512/1990             |
| Control channels: | 24CH            | Output mode:       | RGB*8                   |
| Protection Grade: | IP20            | DMX512/PWM Socket: | RJ45/Screwless terminal |
| Gross Weight:     | 720g            | Work Temp.:        | -30°C~70°C              |

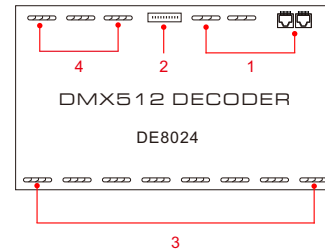
## Basic Features

- Meets DMX512/1990,with RJ45 interface.
- 256-levels brightness,full-color with driver controls.
- Can achieve asynchronous color changes effect under working with controller.
- Cooperate with control system, can realize rich change effect.
- Setting the DMX address freely.

## Dimensions



## Component Diagram



1. DMX Signal IN/OUT(RJ45)
2. Address Dip Switch
3. LED lamps Connection Socket
4. Power Input Socket

## Product Operation

**Self-testing Mode:** put all DIP-Switch NO.1 to NO.9 ON full channels output 3 seconds then each color gradient.

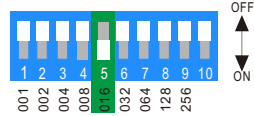


# Wiring Diagram

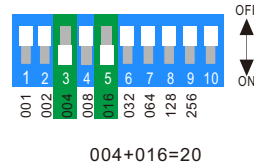
## How to set DMX address via DIP switch:

DMX address value = the total value of (1-9) to get the place value when in "on" position otherwise will be 0.

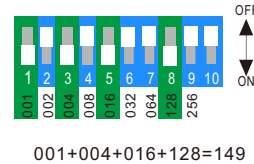
E.g. 1 : Set Initial Address to 16.



E.g. 2 : Set Initial Address to 20.



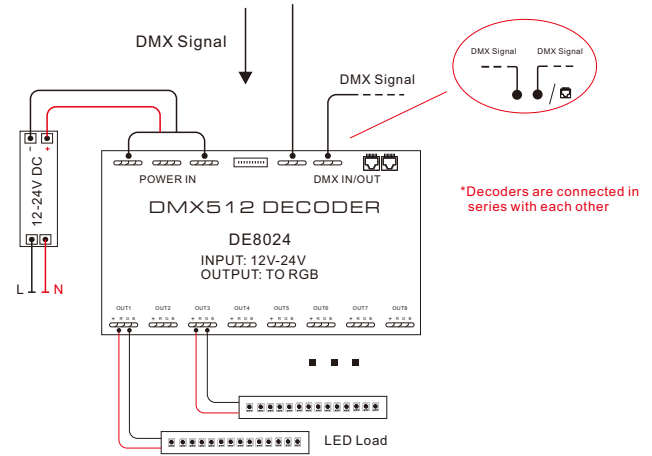
E.g. 3 : Set Initial Address to 149.



## DMX Dimming Instruction:

Each DE8024 DMX decoder occupied 3 DMX addresses when connecting the DMX console. E.g., the defaulted initial address is 1, please find their corresponding relationships in the form.

| DMX Console | DMX Decoder             |
|-------------|-------------------------|
| CH1 0-255   | CH1 PWM 0-100% (LED R)  |
| CH2 0-255   | CH2 PWM 0-100% (LED G)  |
| CH3 0-255   | CH3 PWM 0-100% (LED B)  |
| ⋮           | ⋮                       |
| CH24 0-255  | CH24 PWM 0-100% (LED Y) |



\*An amplifier is needed when more than 32 decoders are connected, signal amplification should not be more than 4 times continuously.

\*At the end of the wiring, we should connect a DMX signal finalizer (Put ON the switch no.10 of DE8024 dial).

## Suitable lamps and lanterns

